



THE INVOICE MESSAGE

INVOIC

EDIFACT D.03A

Version 1.2

Author: Torbjörn Grahm / Encode AB

THE INVOICE MESSAGE INVOIC EDIFACT D.03A	1
THE INVOICE MESSAGE	4
Functional Definition	4
BRANCHING DIAGRAM OF USED SEGMENTS AND SEGMENT GROUPS	5
DATA SEGMENT CLARIFICATION	6
DETAILED SEGMENT DESCRIPTION	7
UNH – Message header	7
BGM - Beginning of message	8
DTM – Date/time/period	9
GEI – Processing information	10
G02/NAD - Name and address	11
G02/NAD - Name and address	12
G02/FII – Financial institution information	13
G03/RFF – Reference	14
G07/CUX – Currencies	15
G08/PYT – Payment terms	16
G08/DTM – Date/time/period	17
G08/DTM – Date/time/period	18
G26/LIN – Line item	19
G26/IMD – Item description	20
G26/QTY – Quantity	21
G26/ALI – Additional information	22
G27/MOA – Monetary amount	23
G29/PRI – Price details	24
G30/RFF – Reference	25
G30/DTM – Date/Time/Period	26
G34/TAX – Duty/Tax/Fee details	27
G34/MOA – Monetary amount	28

UNS – Section Control	29
G50/MOA – Monetary amount	30
G52/TAX – Duty/Tax/Fee details	31
G52/MOA – Monetary amount	32
UNT – Message trailer	33
MESSAGE SAMPLE	34
LIST OF CHANGES	35

The invoice message

This specification provides the definition of the invoice message (INVOIC) to be used in Electronic Data Interchange (EDI) between Gnotec and trading partners.

The document contains only these segments and data elements used by Gnotec.

This documentation is a real subset of the EDIFACT message of directory D03A.

Functional Definition

The invoice message is a message from a Gnotec supplier to Gnotec giving details about the amount claimed as payment for the goods being shipped by the supplier. One INVOIC message should refer to one DESADV message. No additional amounts except the parts ordered in the DELFOR message should be presented in the invoice. An exception from this rule may apply after an agreement as explained below.

The below rules should only be used in agreement with each specific Gnotec plant.

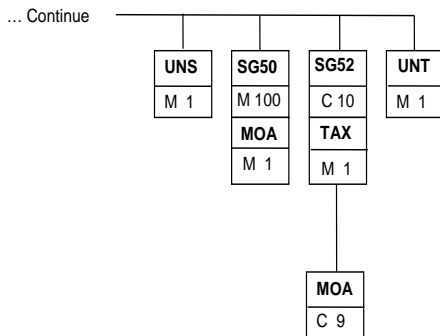
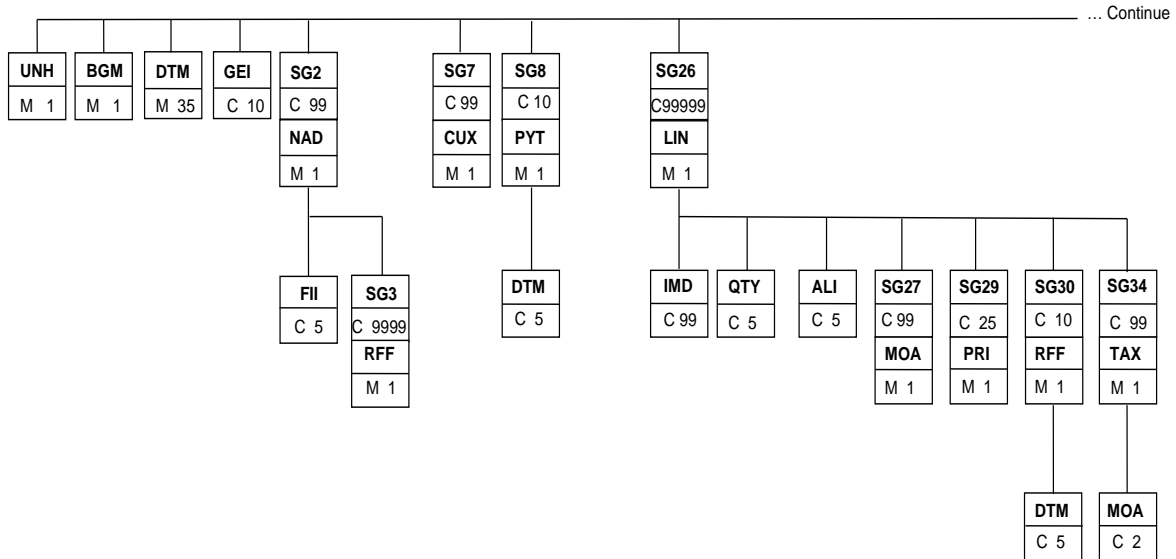
- If additional cost must be used for some reason then the following extra costs are allowed:

<i>Part No</i>	<i>Description</i>
999999_1	Pallet
999999_11	Pallet (small)
999999_2	Frame
999999_21	Frame (small)
999999_3	Lid
999999_31	Lid (small)
999999_4	Min cost for surface treatment
999999_5	Set up cost

- Extra costs shall be invoiced and charged in the same way as any other ordered part (using the part numbers listed above). The seller shall provide a pricelist for these extra costs.

The contents of this message will show the Gnotec requirements of the INVOIC message and include specific notes and comments to the use of each segment, data element and codes.

Branching diagram of used segments and segment groups



M = Mandatory
C = Conditionally

Data Segment Clarification

This section should be read in conjunction with the Branching Diagram and the Segment Table which indicate mandatory, conditional and repeating requirements.

The following guidelines and principles apply to the whole message and are intended to facilitate the understanding and implementation of the message:

All specified dates/times should be in the format 'ccyymmdd'/'hhmm' unless all parties involved in the transaction agree that there is a functional requirement for an alternative format.

Where a choice of code or text is given only the code element should be used wherever possible.

Conditional data that is not required in the message should not be included.

Care must be taken that the segment qualifier in dependent segments do not conflict with the segment qualifier of the trigger segment of a group.

Free text information within the message should be avoided as this inhibits automatic processing.

Reading instructions

Tag	Data elements or composite data elements or both as applicable.
Name	Segment, composite or element name.
M/C	Restrictions by EDIFACT standard - mandatory or conditional.
Format	Element format.
R/D	Restrictions by Gnotec standard – required or dependent.
Value	Bold indicates a constant otherwise an example value.
Comment	Comment.
Sample	An example of the described segment.

A sample segment usage looks like this:

Tag	Name	Format	Value	Comment
BGM	Document type and number	M	R	
C002	Document	C	R	
1001	Document name, coded	C an..3	R 380	
1004	Document number	C an..35	R 555123	Invoice number

Sample:
BGM+380+555123'

Detailed Segment Description

UNH – Message header

Function:

To head, identify and specify a message.

UNH	Message header	M	R		
0062	Message reference number	M	an..14	R 108226	Unique message reference assigned by the sender
S009	Message identifier	M		R	
0065	Message type	M	an..6	R INVOIC	INVOIC – message name
0052	Message version number	M	an..3	R D	D – Draft
0054	Message release number	M	an..3	R 03A	03A
0051	Controlling agency, coded	M	an..2	R UN	UN - United Nations

Sample:

UNH+108226+INVOIC:D:03A:UN'

BGM - Beginning of message

Function:

To indicate the type and function of a message and to transmit the identifying number.

BGM	Document type and number	M	R		
C002	Document	C	R		
1001	Document name, code	C	an..3 R	380	380 = Commercial invoice.
1004	Document number	C	an..35 R	555123	Invoice number

Sample:

BGM+380+555123'

DTM – Date/time/period

Function:

To specify date, and/or time.

DTM	Document date	M	R		
C507	Date/time/period	M	R		
2005	Date/time/period function code qualifier	M	an..3	R	137 = Document/message date. Date/time when a document/message is issued
2380	Date/time/period value	C	an..35	R	20140812 Invoice date. CCYYMMDD
2379	Date/time/period format code	C	an..3	R	102 = Code for date format CCYYMMDD

Sample:

DTM+137:20140812:102'

GEI – Processing information

Function:

To specify and distinguish between production and non-production item invoices. Only production item invoices will be handled by Gnotec.

GEI	Production material	C	R		
9649	Processing information code qualifier	M an..3	R PM	PM	PM = Production material
C012	Processing indicator	C	R		
3055	Code list responsible agency code	C an..3	R 272	272	272 = Joint Automotive Industry agency

Sample:

GEI+PM+::272'

G02/NAD - Name and address

Function:

To specify the identification of each party involved in the business relationship.

G02/NAD	Ship-to (consignee)	C	R		
3035	Party function code qualifier	M an..3	R	ST	ST = Ship-to (consignee)
C082	Party identification details	C	R		
3039	Party identifier	M an..17	R	13561	Identification code allocated to the consignee
C080	Party name	C	R		
3036	Party name	M an..35	R	GNOTEC...	Company name
C059	Street	C	R		
3042	Street and number or box id	C an..35	R	ALVDALSVAGEN	Street and number or box identification
3164	City name	C an..35	R	KINNARED	City name
C819	Country sub-entity details	C	R		
3251	Postal identification code	C an..17	R	31405	Postal identification code
3207	Country name code	C an..3	R	SE	Country name code
G02/NAD	Buyer	C	R		
3035	Party function code qualifier	M an..3	R	BY	BY = Buyer
C082	Party identification details	C	R		
3039	Party identifier	M an..17	R	13561	Identification code allocated to the buyer
C080	Party name	C	R		
3036	Party name	M an..35	R	GNOTEC...	Company name
C059	Street	C	R		
3042	Street and number or box id	C an..35	R	ALVDALSVAGEN	Street and number or box identification
3164	City name	C an..35	R	KINNARED	City name
C819	Country sub-entity details	C	R		
3251	Postal identification code	C an..17	R	31405	Postal identification code
3207	Country name code	C an..3	R	SE	Country name code

Sample:

NAD+ST+13561++GNOTEC KINNARED AB+ALVDALSVAGEN+KINNARED++31405+SE'
 NAD+BY+13561++GNOTEC KINNARED AB+ALVDALSVAGEN+KINNARED++31405+SE'

G02/NAD - Name and address

Function:

To specify the identification of each party involved in the business relationship.

G02/NAD	Seller	C	R		
3035	Party function code qualifier	M	an..3	R	SE SE = Seller
C082	Party identification details	C		R	
3039	Party identifier	M	an..17	R	2160 Identification code allocated to the seller
C080	Party name	C		R	
3036	Party name	M	an..35	R	SELLER AB Company name
C059	Street	C		R	
3042	Street and number or box id	C	an..35	R	GATAN 5 Street and number or box identification
3164	City name	C	an..35	R	VARBERG City name
C819	Country sub-entity details	C		R	
3251	Postal identification code	C	an..17	R	43200 Postal identification code
3207	Country name code	C	an..3	R	SE Country name code
G02/NAD	Payee	C		R	
3035	Party function code qualifier	M	an..3	R	PE PE = Payee
C082	Party identification details	C		R	
3039	Party identifier	M	an..17	R	2160 Identification code allocated to the payee
C080	Party name	C		R	
3036	Party name	M	an..35	R	SELLER AB Company name
C059	Street	C		R	
3042	Street and number or box id	C	an..35	R	GATAN 5 Street and number or box identification
3164	City name	C	an..35	R	VARBERG City name
C819	Country sub-entity details	C		R	
3251	Postal identification code	C	an..17	R	43200 Postal identification code
3207	Country name code	C	an..3	R	SE Country name code

Sample:

NAD+SE+2160++SELLER AB+GATAN 5+VARBERG++43200+SE'
 NAD+PE+2160++SELLER AB+GATAN 5+VARBERG++43200+SE'

G02/FII – Financial institution information

Function:

To specify the account number and account holder at the financial institution. Required segment for the payee (NAD+PE).

G02/FII	Financial information	C	R		
3035	Party function code qualifier	M	an..3	R	BF BF = Beneficiary's bank
C078	Account holder identification	C		R	
3194	Account holder identifier	C	an..35	R	5577899 Account number
3192	Account holder name	C	an..35	R	SELLER AB Name of the account holder
C088	Institution identification	C		R	
3432	Institution name	C	an..70	R	SEB Name of the financial institution

Sample:

FII+BF+5577899:SELLER AB+:::SEB'

G03/RFF – Reference

Function:

To specify the VAT number for both the buyer (NAD+BY) and the seller (NAD+SE).

G03/RFF	VAT number	C	R		
C506	Reference	M	R		
1153	Reference qualifier	M	an..3	R	VA VA = Vat registration number
1154	Reference number	C	an..35	R	SE556242944801 VAT number. Required for both the buyer and the seller

Sample:

RFF+VA:SE556242944801'

G07/CUX – Currencies

Function:

To specify the currency used in the invoice.

G07/CUX	Currencies	C	R		
C504	Currency details	C		R	
6347	Currency usage code qualifier	M	an..3	R	2 = Reference currency
6345	Currency identification code	C	an..3	R	SEK Currency coded
6343	Currency type code qualifier	C	an..3	R	4 = Invoicing currency

Sample:

CUX+2:SEK:4'

G08/PYT – Payment terms

Function:

To specify the payment terms for the invoice. **Only to be used after agreement with Gnotec.**

G08/PYT	Payment terms	C	D	
4279	Payment terms type code qual.	M an..3	R 1	1 = Basic
2475	Time reference code	C an..3	R 5	5 = Date of Invoice
2009	Terms time relation code	C an..3	R 1	1 = Reference date
2151	Period type code	C an..3	R D	D = Day
2152	Period type quantity	C n..3	R 30	Number of days

Sample:

PYT+1++5+1+D+30'

G08/DTM – Date/time/period

Function:

To specify payment due date. Used in combination with PYT segment. **Only to be used after agreement with Gnotec.**

G08/DTM	Patment due date	C	D		
C507	Date/time/period	M	R		
2005	Date/time/period function code qualifier	M	an..3 R	140	140 = Payment due date
2380	Date/time/period value	C	an..35 R	20140911	Invoice due date. CCYYMMDD
2379	Date/time/period format code	C	an..3 R	102	102 = Code for date format CCYYMMDD

Sample:

DTM+140:20140911:102'

G08/DTM – Date/time/period

Function:

To specify the invoice issue date. Used in combination with PYT segment. **Only to be used after agreement with Gnotec.**

G08/DTM	Invoice issue date	C	D			
C507	Date/time/period	M	R			
2005	Date/time/period function code qualifier	M	an..3	R	171	171 = Reference date/time of the invoice issue date
2380	Date/time/period value	C	an..35	R	20140812	Invoice issue date. CCYYMMDD
2379	Date/time/period format code	C	an..3	R	102	102 = Code for date format CCYYMMDD

Sample:

DTM+171:20140812:102'

G26/LIN – Line item

Function:

To identify a line item.

G26/LIN	Line Item	C	R	
1082	Line item identifier	C an..6	R 1	Line number
C212	Item number identification	C	R	
7140	Item number	C an..35	R B2940	Item number
7143	Item number type	C an..3	R IN	IN = Buyers part/item number

Sample:

LIN+1++B2940:IN'

G26/IMD – Item description

Function:

To specify an item description.

G26/IMD	Item description	C	R		
C273	Item description	C	R		
7008	Item description	C	an..70	R	V-CLAMP Description for the item

Sample:

IMD+++:::V-CLAMP'

G26/QTY – Quantity

Function:

To specify the invoiced quantity for the line item.

G26/QTY	Invoiced quantity	C	R		
C186	Quantity details	M	R		
6063	Quantity qualifier	M	an..3	R 47	47 = Invoiced quantity
6060	Quantity	M	n..15	R 640	Quantity
6411	Measure unit qualifier	C	an..3	D PCE	Measure unit qualifier. If no code is specified, 'PCE' is default

Sample:

QTY+47:640:PCE'

G26/ALI – Additional information

Function:

To specify the item's country of origin.

G26/ALI	Country of origin	C	R			
3239	Country of origin name code	C	an..3	R	SE	Country of origin coded

Sample:
ALI+SE'

G27/MOA – Monetary amount

Function:

To specify the gross amount for the line item.

G27/MOA	Line item gross amount	C	R		
C516	Monetary amount	M	R		
5025	Monetary amount type code qualifier	M an..3	R	38	38 = Invoice line amount
5004	Monetary amount	C n..35	R	7104.00	Amount in maximum 2 decimals

Sample:

MOA+38:7104.00'

G29/PRI – Price details

Function:

To specify gross price for the line item.

G29/PRI	Gross price	C	R		
C509	Price information	C		R	
5125	Price code qualifier	M	an..3	R	AAB AAB = Calculation gross
5118	Price amount	C	n..15	R	11.10 Unit gross price in maximum 2 decimals
5284	Unit price basis quantity	C	n..9	R	1 Basis on which the unit applies. Recommend use is "1"
6411	Measurement unit code	C	an..9	D	PCE Measure unit qualifier. If no code is specified, 'PCE' is default

Sample:

PRI+AAB:11.10:::1:PCE'

G30/RFF – Reference

Function:

To specify the reference to both the despatch advice and the order number. One INVOIC message is only allowed per DESADV message.

G30/RFF	Despatch advice number	C	D		
C506	Reference	M	R		
1153	Reference qualifier	M	an..3	R	AAK AAK = Despatch advice number
1154	Reference number	C	an..35	R	99905 Despatch advice number.
G30/RFF	Order number	C	D		
C506	Reference	M	R		
1153	Reference qualifier	M	an..3	R	ON ON = Buyers order number
1154	Reference number	C	an..35	R	2160B Order/contract number for the item

Sample:

RFF+AAK:99905'

RFF+ON:2160B'

G30/DTM – Date/Time/Period

Function:

To specify the date on the despatch advice given as a reference. To be used with segment RFF+AAK.

G30/DTM	Despatch advice date	C	R		
C507	Date/time/period	M	R		
2005	Date or time or period function code qualifier	C	an..3	R	171 171 = Reference date/time
2380	Date or time or period text	C	an..35	R	20140812 Despatch advice date. CCYYMMDD
2397	Date or time or period format code	C	an..3	R	102 102 = Code for date format CCYYMMDD

Sample:

DTM+171:20140812:102'

G34/TAX – Duty/Tax/Fee details

Function:

To specify the tax rate for the line item.

G34/TAX	Tax rate	C	R			
5283	Duty or tax or fee function code qualifier	M	an..3	R	7	7 = Tax
C241	Duty/tax/fee type	C		R		
5153	Duty or tax or fee type name code	C	an..3	R	VAT	VAT = Value added tax
C243	Duty/tax/fee details	C		R		
5278	Duty or tax or fee rate	C	an..17	R	25.00	Tax rate
5305	Duty or tax or fee category code	C	an..3	R	S	S = Standard rate

Sample:

TAX+7+VAT+++:::25.00+S'

G34/MOA – Monetary amount

Function:

To specify the tax amount for the line item.

G34/MOA	Line item tax amount	C	R		
C516	Monetary amount	M	R		
5025	Monetary amount type code qualifier	M an..3	R	124	124 = Tax amount
5004	Monetary amount	C n..35	R	1776.00	Tax amount in maximum 2 decimals

Sample:

MOA+124:1776.00'

UNS – Section Control

Function:

To separate Detail and Summary sections of the message.

UNT	Section Control	C	R	S	
0081	Section identification	M	an1	R	S = Detail/summary section separation

Sample:
UNS+S'

G50/MOA – Monetary amount

Function:

To specify the total amounts for the invoice.

G50/MOA	Invoice amount	C	R		
C516	Monetary amount	M	R		
5025	Monetary amount type code qualifier	M an..3	R	77	77 = Invoice amount
5004	Monetary amount	C n..35	R	16575.00	Invoice amount in maximum 2 decimals
6343	Currency type code qualifier	C an..3	R	4	4 = Invoicing currency
G50/MOA	Taxable amount	C	R		
C516	Monetary amount	M	R		
5025	Monetary amount type code qualifier	M an..3	R	125	125 = Taxable amount
5004	Monetary amount	C n..35	R	13260.00	Taxable amount in maximum 2 decimals
6343	Currency type code qualifier	C an..3	R	4	4 = Invoicing currency
G50/MOA	Total tax amount	C	R		
C516	Monetary amount	M	R		
5025	Monetary amount type code qualifier	M an..3	R	176	176 = Total tax amount
5004	Monetary amount	C n..35	R	3315.00	Invoice amount in maximum 2 decimals
6343	Currency type code qualifier	C an..3	R	4	4 = Invoicing currency
G50/MOA	Total line items amount	C	R		
C516	Monetary amount	M	R		
5025	Monetary amount type code qualifier	M an..3	R	79	79 = Total line items amount
5004	Monetary amount	C n..35	R	13260.00	Total line items amount in maximum 2 decimals
6343	Currency type code qualifier	C an..3	R	4	4 = Invoicing currency
G50/MOA	Adjustment amount	C	D		Only to be used after agreement with Gnotec
C516	Monetary amount	M	R		
5025	Monetary amount type code qualifier	M an..3	R	165	165 = Adjustment amount
5004	Monetary amount	C n..35	R	0.35	Adjustment amount in maximum 2 decimals. Minus sign (-) must be used if negative figures.
6343	Currency type code qualifier	C an..3	R	4	4 = Invoicing currency

Sample:

MOA+77:16575.00::4'

G52/TAX – Duty/Tax/Fee details

Function:

To specify the tax rate.

G52/TAX	Tax rate	C	R			
5283	Duty or tax or fee function code qualifier	M	an..3	R	7	7 = Tax
C241	Duty/tax/fee type	C		R		
5153	Duty or tax or fee type name code	C	an..3	R	VAT	VAT = Value added tax
C243	Duty/tax/fee details	C		R		
5278	Duty or tax or fee rate	C	an..17	R	25.00	Tax rate
5305	Duty or tax or fee category code	C	an..3	R	S	S = Standard rate

Sample:

TAX+7+VAT+++:::25.00+S'

G52/MOA – Monetary amount

Function:

To specify the total amounts for the invoice.

G52/MOA	Tax amount	C	R		
C516	Monetary amount	M	R		
5025	Monetary amount type code qualifier	M an..3	R	124	124 = Tax amount
5004	Monetary amount	C n..35	R	3315.00	Tax amount in maximum 2 decimals
6343	Currency type code qualifier	C an..3	R	4	4 = Invoicing currency
G52/MOA	Taxable amount	C	R		
C516	Monetary amount	M	R		
5025	Monetary amount type code qualifier	M an..3	R	125	125 = Taxable amount
5004	Monetary amount	C n..35	R	13260.00	Taxable amount in maximum 2 decimals
6343	Currency type code qualifier	C an..3	R	4	4 = Invoicing currency

Sample:

MOA+124:3315.00::4'

UNT – Message trailer

Function:

To end and check the completeness of a message.

UNT	Message trailer	M	R			
0074	Number of segments in a message	M	n..6	R	44	Number of segments in a message including UNT.
0062	message reference number	M	an..14	R	108226	The value shall be identical to the value in 0062 in the corresponding UNH segment.

Sample:

UNT+44+108226'

Message sample

UNB+UNOA:2+SELLERUNBCODE:OD+09420000556242944800MEFA:OD+140813:1717+51343++INVOIC'
UNH+108226+INVOIC:D:03A:UN'
BGM+380+555123'
DTM+137:20140812:102'
GEI+PM+:272'
NAD+ST+13561++GNOTEC KINNARED AB+ALVDALSVAGEN+KINNARED++31405+SE'
NAD+BY+13561++GNOTEC KINNARED AB+ALVDALSVAGEN+KINNARED++31405+SE'
RFF+VA:SE556242944801'
NAD+SE+2160++SELLER AB+GATAN 5+VARBERG++43200+SE'
RFF+VA:SE556677889901'
NAD+PE+2160++SELLER AB+GATAN 5+VARBERG++43200+SE'
FII+BF+5577899:SELLER AB+:::SEB'
CUX+2:SEK:4'
LIN+1++B2940:IN'
IMD+++::V-CLAMP'
QTY+47:640:PCE'
ALI+SE'
MOA+38:7104.00'
PRI+AAB:11.10:::1:PCE'
RFF+AAK:99905'
DTM+171:20140812:102'
RFF+ON:2160B'
TAX+7+VAT+++:::25.00+S'
MOA+124:1776.00'
LIN+2++B1905:IN'
IMD+++::CAP PLUG'
QTY+47:1200:PCE'
ALI+SE'
MOA+38:6156.00'
PRI+AAB:5.13:::1:PCE'
RFF+AAK:99905'
DTM+171:20140812:102'
RFF+ON:2160B'
TAX+7+VAT+++:::25.00+S'
MOA+124:1539.00'
UNS+S'
MOA+77:16575.00:::4'
MOA+125:13260.00:::4'
MOA+176:3315.00:::4'
MOA+79:13260.00:::4'
TAX+7+VAT+++:::25.00+S'
MOA+124:3315.00:::4'
MOA+125:13260.00:::4'
UNT+44+108226'
UNZ+1+51343'

List of changes

Version	Date	Changes
1.0	2014-08-18	First version
1.1	2016-04-25	Clarifications of additional amounts specified as articles with unique part numbers
1.2	2017-05-08	Added payment terms (PYT, DTM) and Adjustment amount (MOA+165)