

WEB EDI communication

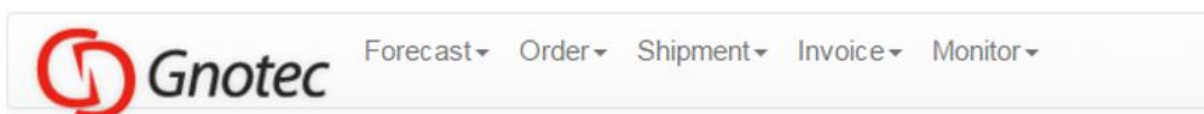
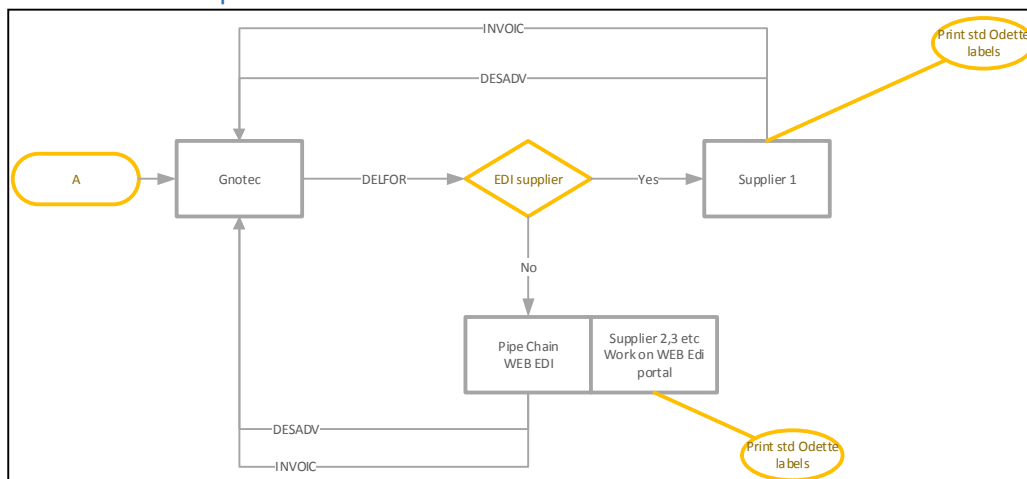
During Q2-Q3 2016, Gnotec AB, will roll out a new order process system to all suppliers who doesn't communicate real EDI.

The new system is provided by PipeChain and is a WebEDI solution to achieve electronic business transactions with ALL active suppliers.

The WebEDI Interface is accessed via a standard internet browser and provides the possibility to:

- Forecast information, on item level, planned future purchase/call off
- Supplier notification when forecast is updated by customer
- Historical forecast handling
- Notification to supplier about shipment preparation
- Prepare shipment with packing instruction and labeling
- Print documents: delivery note, labels
- Possible to create electronic invoice to Gnotec
- Use Delivery Note and order information to easy register an electronic invoice

Flow description



Briefly the process can be described in the following steps

A Forecast including a net demand for items supplied by a specific supplier is sent from Gnotec.

- It is published on the Web Interface for the supplier to see.
- An email notification can be sent to the supplier when a new forecast is available on the Web Interface.
- From the Web Interface the Forecast can be exported to Excel.

When the goods is shipped a Dispatch advice is sent from the supplier to Gnotec.

- It is sent from the Web Interface where the supplier also can print delivery notes and labels.

When the goods has been shipped, an electronic invoice can be created and sent by the supplier to Gnotec.

- It is sent from the Web Interface.
- The invoice can be printed from the Web Interface.
- The invoicing history can be shown on the Web Interface.

Training of the new system will be provided by the supplier of the system, PipeChain, and executed via the web.

You will have access to PipeChain support and a WebEDI supplier manual will be available.



www.pipechain.com